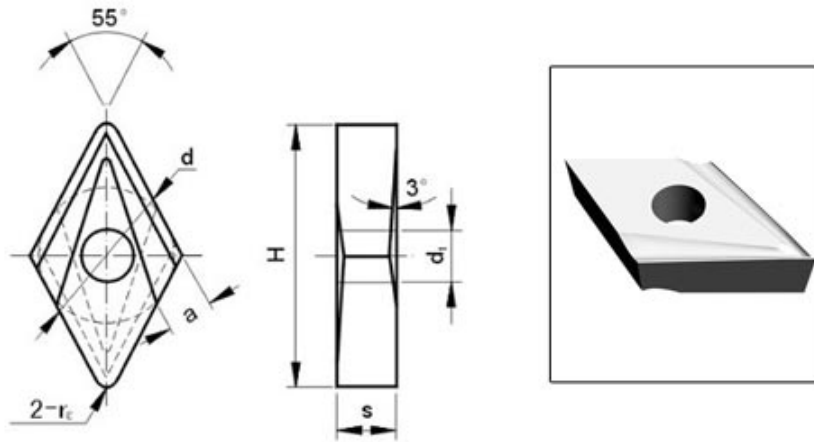




Cemented Carbide Turning Insert-Type 2C



Unit: mm

Type	d	s	re	$a \approx$	d1	H
CTC-G21305C	13.0	5.5	0.5	3.0	5.2	27.0
CTC-G21315C	13.0	5.5	1.5	3.0	5.2	24.7
CTC-G21615C	16.0	7.0	1.5	4.2	6.2	31.2

Tolerance: d1: ± 0.20 ; s: ± 0.30 ; d、H: ± 0.50